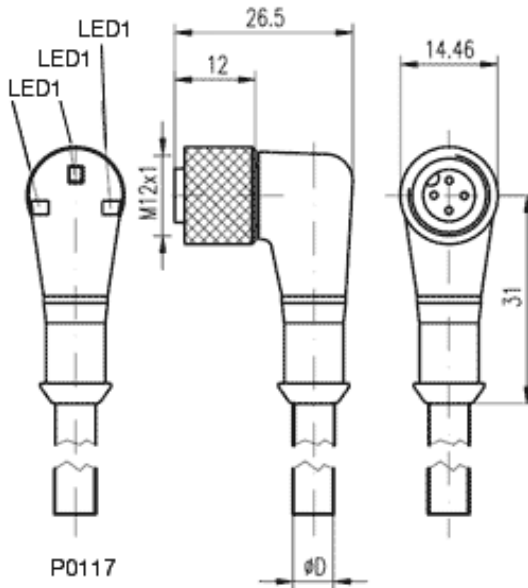


Accessories: Connectors BKS-S 20-10-PU-



Common Data

Version
Usable with
Manufacturer
Ambient temperature
Function display
Supply voltage display

Connector, right angle, 4-pin
on Sensors with connection S4
(DC, PNP, Antivalent, M12)
Lumberg
-25°C...+80°C
yes, 2LED
yes

Mechanical Data

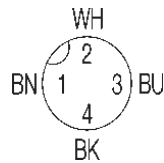
Measurements WxHxD or Dia x D
Material
Protection class per IEC 60529
Cable version
Conductor cross section

27x31x14
Housing Polyether TPU
IP67
fully potted, Li9YH-11YH
4 x 0,25mm²

Electrical Data

Supply voltage

10...30VDC



Datasheet number::

Definitions see general catalog.
If not otherwise noted, ratings according to
IEC 60947-5-2 (DIN EN60947-5-2)

Balluff GmbH
Schurwaldstrasse 9
73765 Neuhausen a.d.F.
Phone (07158) 173-0 Fax (07158) 5010

Datenblatt by CD-ROM - 04/2007

BALLUFF
sensors worldwide